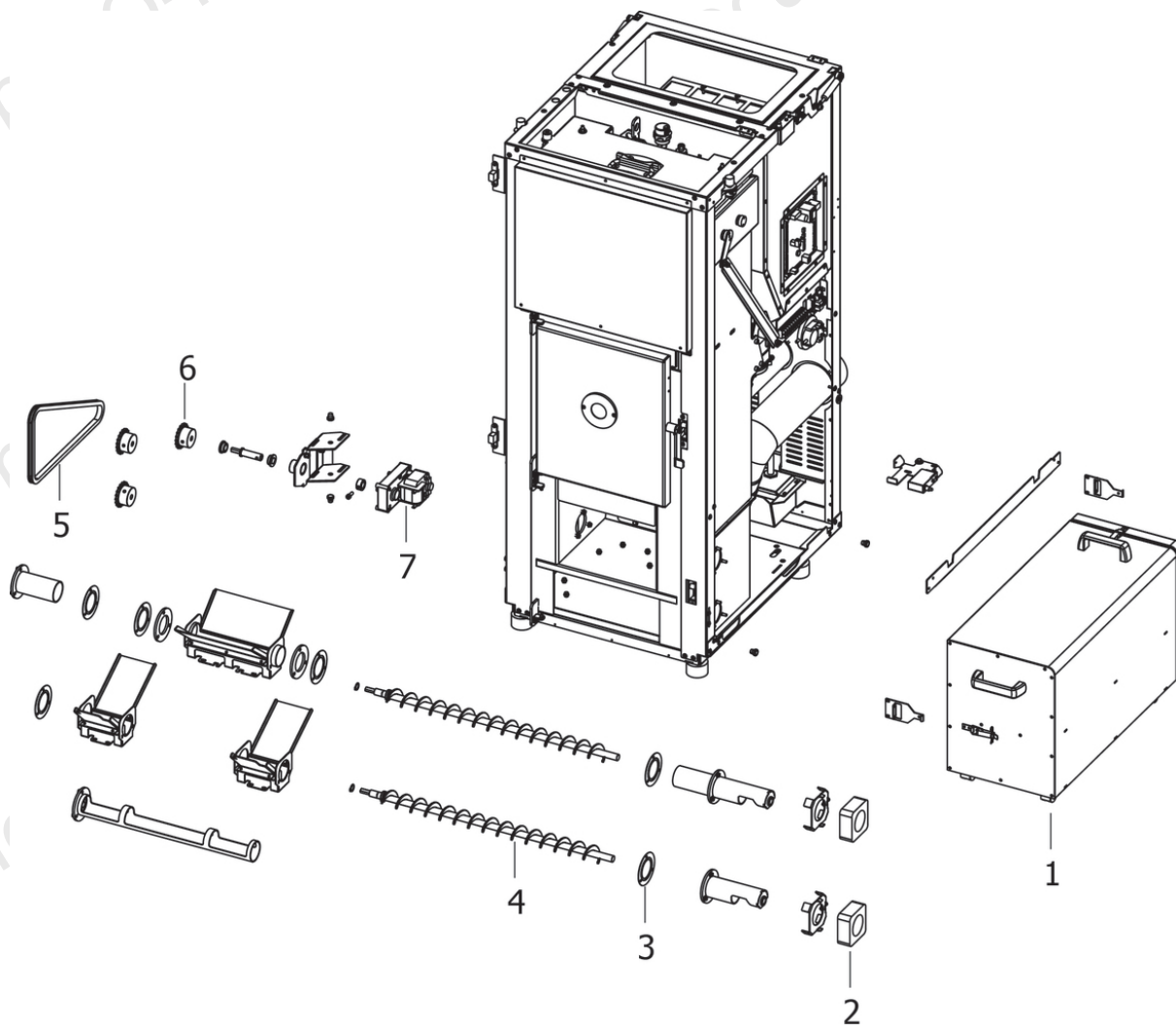


PERFORMA KIT ASH TROLLEY

Kit Ash Trolley / Kit Ash Trolley / Kit Ash Trolley / Kit Ash Trolley / Kit Ash Trolley



N°	Codice/Code	Descrizioni / Description / Beschreibung / Description / Descripción
1	41401703430	Scivolo raccolta cenere / Ash ramp / Aschenrutsche / Glissèrie cendre / Tobogán ceniza
1	41401710130	Scivolo raccolta cenere anteriore / Front ash ramp / Frontaschenrutsche / Glissèrie cendre devant / Tobogán ceniza frontal
1	41801401100	Ruota ø30 trolley (pz.4) / Wheel ø30 trolley (Pcs.4) / Räder ø30 trolley (Stk.4) / Roue ø30 trolley (Pcs.4) / Rueda ø30 trolley (Pz.4)
1	437016149	Trolley finito / Trolley / Trolley / Trolley / Trolley
2	41801606500	Guarnizione / Gasket / Dichtung / Joint / Junta
3	41801603700	Guarnizione tappo struttura / Gasket structure plugs / Dichtung Strukturklappe / Joint clapets de la structure / Junta tapónes estructura
4	41201605840	Coclea estrazione cenere / Ash screw / Aschenschnecke / Vis-sans-fin cendre / Cóclea ceniza
5	41201605600	Catena a rulli / Roller chain / Rollenkette / Chaîne à rouleaux / Cadena de rodillos
5	41401801530	Staffa aggiuntiva motoriduttore / Gearmotor additional bracket / Schneckenmotor zusätzliches Haltebügel / Étrier additionel motoreducteur / Abrazadera adicional motoreductor
6	41201605720	Pignone catene / Chain sprocket / Kettenritzel / Pignon de chaîne / Pinon de cadena
6	41201606300	Albero pignone / Pinion shaft / Arbre de pignon / Ritzelwelle / Eje del piñón
6	41201216500	Boccola (2 pz) / Bushing (2 pcs) / Buchse (2 Stk) / Douille (2 pcs) / Abrazadera (2 pzs)
7	41450901600	Motoriduttore 3,3 rpm Merkle Korff / Reduction motor 3,3 rpm Merkle Korff / Getriebemotor 3,3 RPM MERKLE KORFF / Motoréducteur 3,3 RPM MERKLE KORFF / Motorreductor 3,3 rpm Merkle Korff
7	41401801530	Staffa aggiuntiva motoriduttore / Gearmotor additional bracket / Schneckenmotor zusätzliches Haltebügel / Étrier

		additional motoreducteur / Abrazadera adicional motoreductor
7	41411649740V	Supporto motoriduttore / Reduction motor support / Schneckenmotor Gestell / Support motoréducteur / Soporte motoreductor